

spectratherm™

2400

Analogic or Digital Model

A versatile, easy to use Double Lamp Array Short Wave Infra-Red Curing System for bodyshops demanding high quality and reliability at a reasonable price.

INFRA-RED CURING SYSTEM

Analogic Control Design



Digital Control Design



Digital Model:
28.SPT.2400SD

Analogic Model:
28.SPT.2400

spectratetek

AMH

2400W Power Consumption

State of the art technology at your finger tips

Features of a Spectratherm™ 2400 Short Wave IR curing system:

▪ Versatile:

Cures on any substrate.
Cures putty or primer.

▪ Rapid temperature climb:

Maximum heat transfert.

▪ Automatic timed shut-off:

Reduces chance of damage to finish due to overheating.

▪ Uniform, focused cure area - no hot or cold spots:

Full focused IR reflector.

Curing area:

36" x 30" = 1080in²
(92cm x 76cm = 6992cm²).
distance to vehicle: 12" (30cm).

▪ Simple controls:

Solid state switching variable cure timer or digital control LCD screen.
Long lasting, durable.

▪ Easy to operate:

Effortless lamp unit adjustment "push" and "go" operation short, timer controlled curing times (polyester putties in approx 4 minutes, water and solvent based products in under 10 minutes).

PAINT MATERIAL	TOTAL CURING TIME
Top Coat	7-10 minutes
Non-Sanding	2-7 minutes
Water-Thinnable Filler	7-9 minutes
Primer	3-8 minutes
Polyester Filler/Stopper	2-3 minutes

▪ Easy to maintain:

Removable grill.
Cleanable, solvent resistant reflector.
Interchangeable bulbs.

▪ Built-in safety features:

CE approval

▪ Economical:

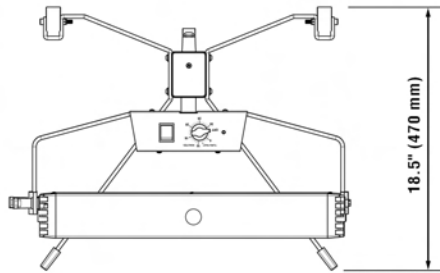
Lower purchase price and running costs than other conventional methods.

▪ Spectratek quality design, construction and service:

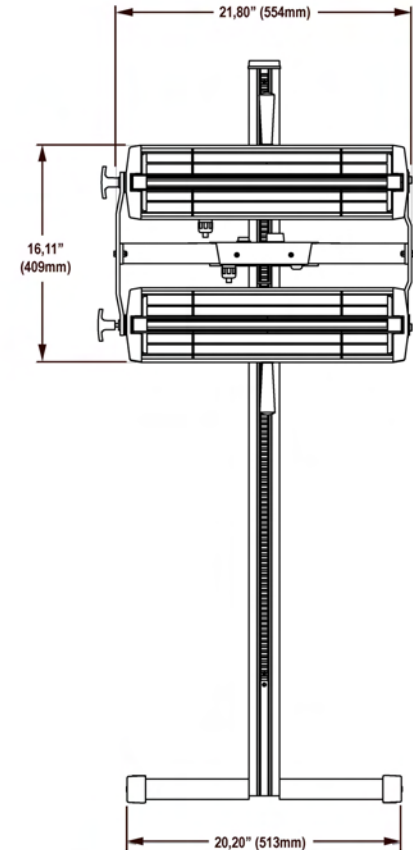
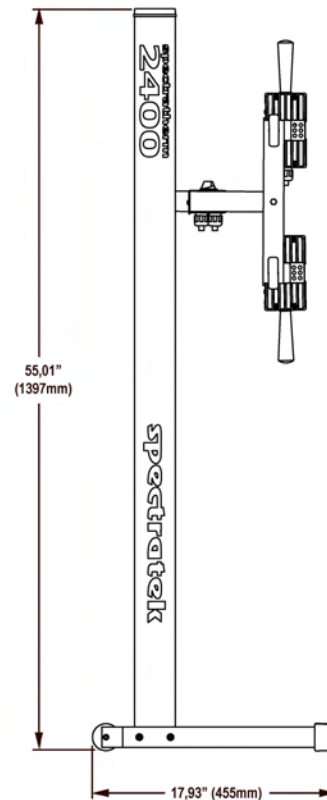
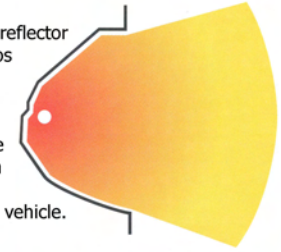
Highest quality components designed and built in North America.
Compact, modular design.
Efficient on space.
Lightweight, strong, stable and rugged construction.
Robust, reliable electronics designed for the harshest environment.
Comprehensive warranty.

▪ Power requirements:

220/240 volt, 1 Phase, 50/60Hz



The unique reflector that envelops the lamp is specifically designed to direct all the energy from the lamp towards the vehicle.



SOLID BACKING BY EXPERTS IN THE INDUSTRY

The founders of Spectratek™ have years of experience in the automotive paint field and the highest level of technical expertise in Short Wave Infra-Red technology as it applies to the automotive industry.

Spectratek™ is committed to developing the highest quality products and invests in extensive research, development, and testing. Ongoing research ensures that the products we develop will continue to effectively meet the needs of the Collision repair industry today and in the future.

All Spectratek™ products are supported by fully qualified service and distribution facilities. Servicing can be conducted onsite to minimize downtime and cost.

Contact Spectratek™ today.

Due to our commitment to quality and service, design & specifications may change without notice.



AMH Canada Ltée/Ltd
391, rue St-Jean-Baptiste Est
Rimouski (Québec) Canada G5L 1Z2
Tel: (416) 724-4105 Fax: (416) 724-1006
e-mail: amhcanad@amh.ca

Distributor

PRO LINE SYSTEMS INTERNATIONAL INC.
305-793-9503
<http://prolinesystems.net>